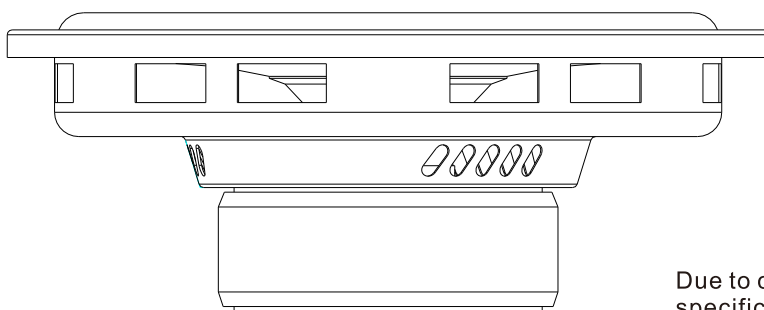




USER MANUAL

SHALLOW SUBWOOFER

DWL-10D4F
DWL-12D4F



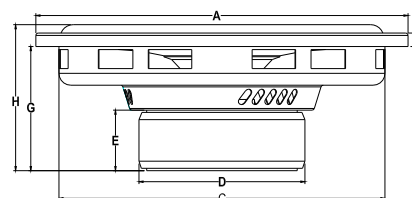
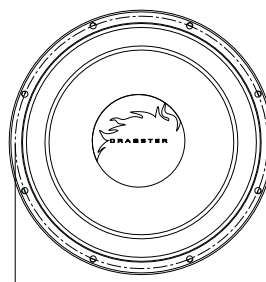
Due to continuous pursuit of performance, specifications change without prior notice.

DWL-10D4F (10") DWL-12D4F (12")

High power shallow subwoofers

Features:

- Heavy gauge stamped shallow basket;
- Rigid and light sandwich composite cone;
- EROM foam surround;
- 2" 4-layer copper wire voice coil on fiberglass bobbin;
- Reliable black poly-cotton 1-pc 2-layer spider;
- Double stacked 70oz Strontium magnets;
- Direct VC cooling motor design;
- Chrome plated push terminals;
- Rubber magnet boot and rubber gasket;
- Dual 4-ohm Impedance;
- 300W RMS power and 600W MAX power



DWL-xxD4F series DIMENSIONS

Dimensions	Value	DWL-10D4F	DWL-12D4F
Diameter A	mm	262	315
Diameter B	mm	246	296
Diameter C	mm	230	271
Diameter D	mm	146	146
Depth E	mm	51	51
Depth F	mm	16	16
Depth G	mm	92	104
Depth H	mm	112	126
Vd	L	1.6	2.3

DWL-xxD4F series subwoofers T/S Parameters

MODEL	Imp ohm	Dcr ohm	Fs Hz	SD msqM	BL Tm	Qms	Qes	Qts	n	SPLo dB	Vas L	Cms µm/N	Mms g	Mmd g	Xmax ±mm	Xmech mm	AGH mm
DWL-10D4F	2	1.7	37.16	34.64	8.79	5.924	0.548	0.502	0.295	86.7	23.1	135.4	107.1	103.4	10	25	8
DWL-10D4F	8	6.8	36.93	34.64	20.34	6.167	0.494	0.457	0.298	86.8	23.3	136.9	103.9	100.2	10	25	8
DWL-12D4F	2	1.7	32.91	53.09	8.62	5.808	0.630	0.568	0.446	88.5	69.6	173.9	122.3	115.2	10	25	8
DWL-12D4F	8	6.8	32.70	53.09	16.48	5.853	0.586	0.532	0.452	88.6	69.2	174.9	124.2	117.3	10	25	8

*Above parameters are tested after each subwoofer was break-ined under 350W(50Hz) power for 3hours.

*Due to continuous pursuit of performance, specifications change without prior notice.