



## USER MANUAL FOR

# AF-3

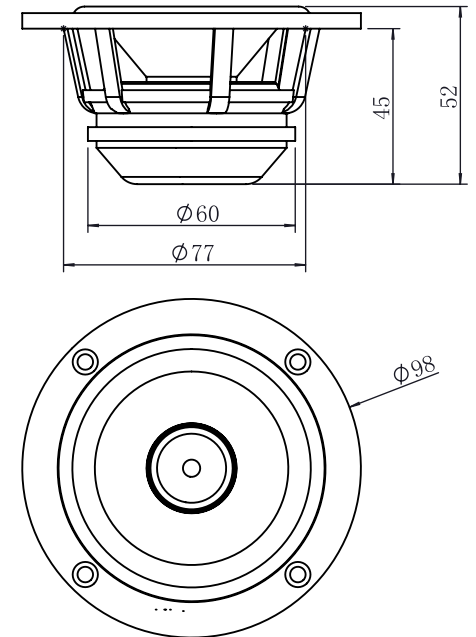
## 3 INCH FULLRANGE

**AF-3**  
**3 Inch Fullrange**  
**1" Voice coil, 4 Ω**



### SPECIFICATIONS

General Data		Unit	Dimensions	
Overall Dimensions	98*52	mm		
Nominal Power Handling	20	W		
Transient Power 10ms	40	W		
Sensitivity	90.3	dB		
Frequency Response	190-20K	Hz		
Cone Material	Paper			
Net Weight	0.37	kg		
Electrical Data				
Nominal Impedance	4	Ohm		
DC Resistance	3.4	Ohm		
Voice Coil and Magnet Parameters				
Voice Coil Diameter	25.5	mm		
Voice Coil Height	7	mm		
HE Magnetic Gap Height	4	mm		
Max.Linear Excursion	1.5	mm		
Voice Coil bobbin	Kapton			
Voice Coil Wire	CCAW			
Number Of Layers	2	layers		
Magnet System Type	Neodymium			
BL Product	4.12	N.A		
T-S Parameters				
Suspension Compliance	Cms	0.346		
Mechanical Q Factor	Qms	2.75		
Electrical Q Factor	Qes	0.45		
Total Q Factor	Qts	0.38		
Moving Mass	Mms	2		
Eq.Cas Air Load( liters)	VAS	0.448	Liter	
Resonant Frequency	Fs	190	Hz	
Effective Piston Area	SD	30.1	cm <sup>2</sup>	



FOR REFERENCE ONLY

