



USER MANUAL FOR

**AMW-6NEO**

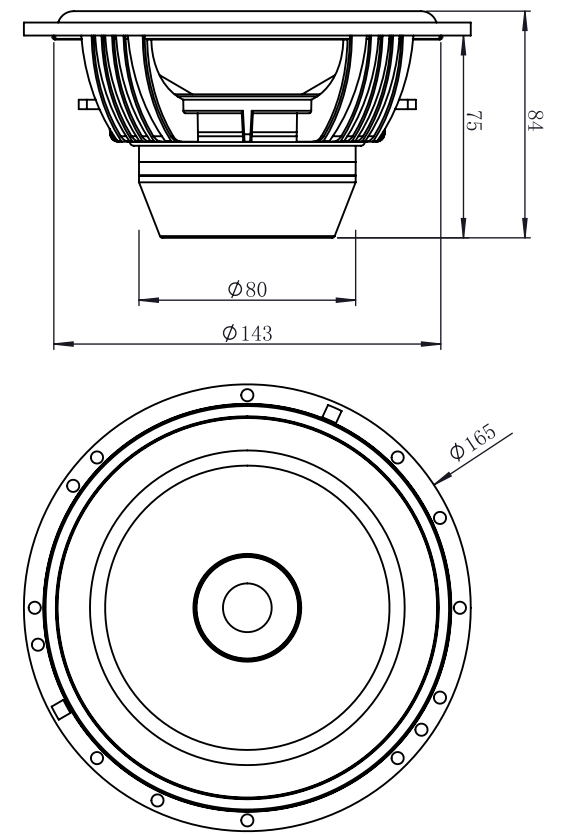
**6.5 INCH MIDBASS**

**AMW-6NEO**  
**6.5 Inch Midbass**  
**1.5" Voice coil, 4 Ω**



**SPECIFICATIONS**

General Data		Unit	Dimensions
Overall Dimensions	165*84	mm	
Nominal Power Handling	150	W	
Transient Power 10ms	300	W	
Sensitivity	91	dB	
Frequency Response	50-12K	Hz	
Cone Material	Carbon		
Net Weight	1.6	kg	
Electrical Data			
Nominal Impedance	4	Ohm	
DC Resistance	3.4	Ohm	
Voice Coil and Magnet Parameters			
Voice Coil Diameter	38.6	mm	
Voice Coil Height	13.7	mm	
HE Magnetic Gap Height	6	mm	
Max.Linear Excursion	3.85	mm	
Voice Coil bobbin	Kapton		
Voice Coil Wire	CCAW		
Number Of Layers	2	layers	
Magnet System Type	Neodymium		
BL Product	7.05	N.A	
T-S Parameters			
Suspension Compliance	Cms	0.63	
Mechanical Q Factor	Qms	3.65	
Electrical Q Factor	Qes	0.32	
Total Q Factor	Qts	0.3	
Moving Mass	Mms	14.4	
Eq.Cas Air Load( liters)	VAS	14.8	Liter
Resonant Frequency	Fs	52	Hz
Effective Piston Area	SD	128.6	cm <sup>2</sup>



**FOR REFERENCE ONLY**

