



USER MANUAL FOR

AW-8NEO

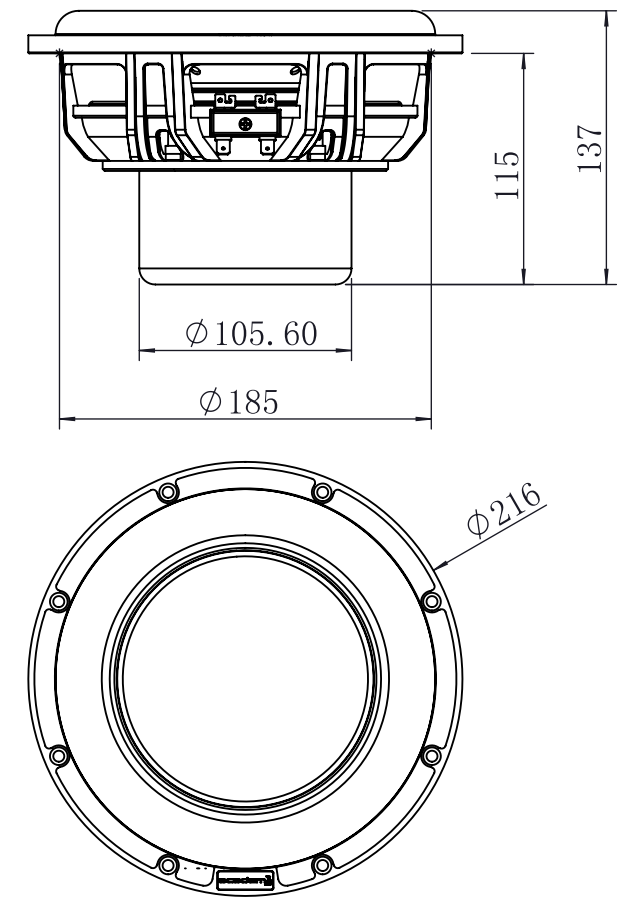
8 INCH SUBWOOFER

AW-8NEO
8 Inch Subwoofer
3" Voice coil, 4 Ω



SPECIFICATIONS

General Data		Unit	Dimensions
Overall Dimensions	216*137	mm	
Nominal Power Handling	300	W	
Transient Power 10ms	600	W	
Sensitivity	84	dB	
Frequency Response	36-300	Hz	
Cone Material	paper		
Net Weight	3.72	kg	
Electrical Data			
Nominal Impedance	4	Ohm	
DC Resistance	3.2	Ohm	
Voice Coil and Magnet Parameters			
Voice Coil Diameter	76.5	mm	
Voice Coil Height	30	mm	
HE Magnetic Gap Height	8	mm	
Max.Linear Excursion	11	mm	
Voice Coil bobbin	Black Aluminium		
Voice Coil Wire	CCA W		
Number Of Layers	4	layers	
Magnet System Type	Neodymium		
BL Product	14.26	N.A	
T-S Parameters			
Suspension Compliance	Cms	0.15	
Mechanical Q Factor	Qms	2.63	
Electrical Q Factor	Qes	0.42	
Total Q Factor	Qts	0.36	
Moving Mass	Mms	111.01	
Eq.Cas Air Load(liters)	VAS	11.02	Liter
Resonant Frequency	Fs	36	Hz
Effective Piston Area	SD	226.9	cm ²



FOR REFERENCE ONLY

NOTE:TS Measurement Connection: parallel

