



USER MANUAL FOR

DC-402

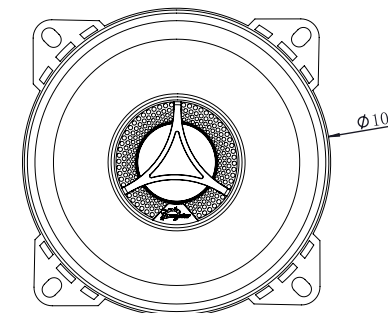
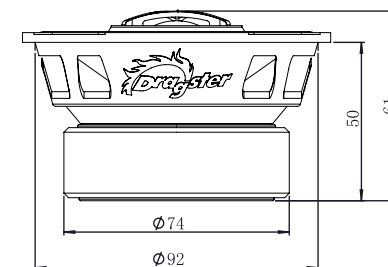
4 INCH 2-WAY CAR COAXIAL SPEAKER

DC-402
4 Inch 2-Way Car Coaxial Speaker
1.2" Voice coil, 4 Ω



SPECIFICATIONS

General Data			Unit	Dimensions
Type	Woofer	Tweeter		
Overall Dimensions	105*66		mm	
Nominal Power Handling	35		W	
Transient Power 10ms	70		W	
Sensitivity	86		dB	
Frequency Response	105-20K		Hz	
Cone Material	Fiberglass	Silk		
Net Weight	0.67		kg	
Electrical Data				
Nominal Impedance	4	4	Ohm	
DC Resistance	3.2	3.6	Ohm	
Voice Coil and Magnet Parameters				
Voice Coil Diameter	30.5	25.4	mm	
Voice Coil Height	8.1	1.5	mm	
HE Magnetic Gap Height	4	2	mm	
Max.Linear Excursion	2.05		mm	
Voice Coil bobbin	KAPTON	Aluminum		
Voice Coil Wire	Copper	CCAW		
Number Of Layers	2	2	layers	
Magnet System Type	High Flux Ferrite	Neodymium		
BL Product	3.79		N.A	
T-S Parameters				
Suspension Compliance	Cms	0.45		
Mechanical Q Factor	Qms	5.38		
Electrical Q Factor	Qes	0.73		
Total Q Factor	Qts	0.64		
Moving Mass	Mms	4.87		
Eq.Cas Air Load(liters)	VAS	2.06	Liter	
Resonant Frequency	Fs	107	Hz	
Effective Piston Area	SD	56.7	cm ²	



FOR REFERENCE ONLY

