



T U N E D F O R Y O U R S O U L

www.dragsteraudio.it

OWNER'S MANUEL

DWY-12

DWY-15

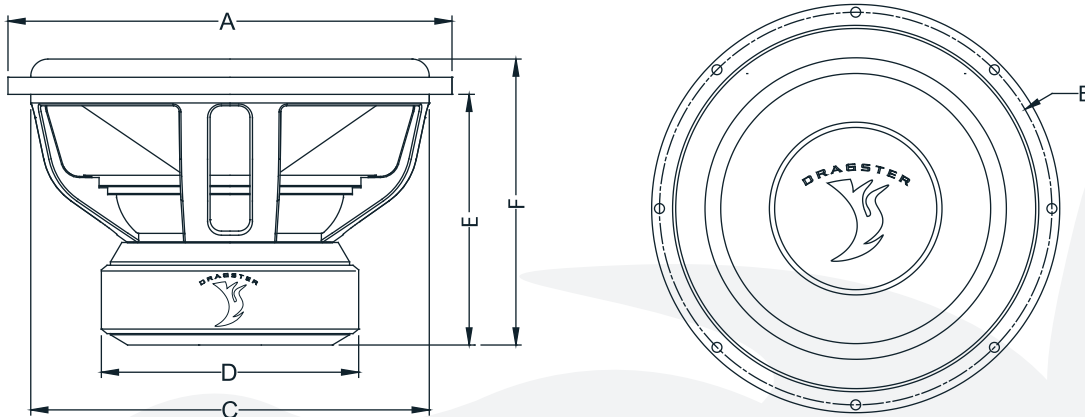
SUBWOOFER

CE

SPECIFICATIONS

General Data		Unti	DWY-12D1	DWY-12D2	DWT-15D1	DWY-15D2
Nominal Power Handling	W		2000	2000	2000	2000
Transient Power 10ms	W		4000	4000	4000	4000
Sensitivity	dB		85	85	86	86
Cone Material			Non-pressed paper	Non-pressed paper	Non-pressed paper	Non-pressed paper
Nominal Impedance	Ohm		1+1	2+2	1+1	2+2
DC Resistance	Ohm		0.9+0.9	1.9+1.9	0.9+0.9	1.9+1.9
Voice Coil Diameter	mm		76.5	76.5	76.5	76.5
Voice Coil Eight	mm		55	55	55	55
Max.Linear Excursion	mm		1+ / -15	1+ / -15	1+ / -15	1+ / -15
BL Product	N/A		13.3	16.5	13.5	16.9
Suspension Compliance	Cms		0.08	0.09	0.07	0.08
Mechanical Q Factor	Qms		4.7	4.62	4.91	4.62
Electrical Q Factor	Qes		0.55	0.65	0.65	0.72
Total Q Factor	Qts		0.49	0.57	0.58	0.62
Eq.Cas Air Load(liters)	VAS		33.1	35	69.8	78
Resonant Frequency	Fs		34.4	34.5	34.5	32.3
Effective Piston Area(CM2)	SD		530	530	819	819

Dimensions



MODEL	A(mm)	B(mm)	C(mm)	D(mm)	E(mm)
DWY12	325	303	285	230	198
DWY15	395	375	350	230	218