



T U N E D F O R Y O U R S O U L

www.dragsteraudio.it

OWNER'S MANUEL

DEQ-7

PARAMETRIC EQUALIZER



www.dragsteraudio.it



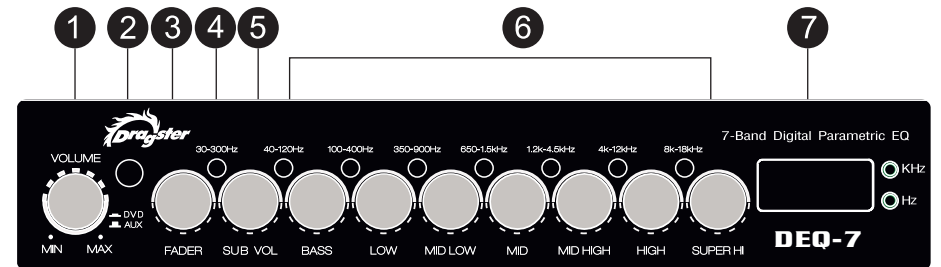
FEATURES

- Active gain Equalizer with adjustable input sensitivity.
- Master volume control with up to 7 volts RMS of output.
- Individual left and right sensitivity controls.
- Seven Band Pre - Amplifier with 12 dB Boost/Cut.
- Specific bandwidth for each band plus high frequency shelving.
- On-board 30V bipolar switching power supply.
- Subwoofer level control.
- Subwoofer frequency adjustable.
- Input AUX / DVD select switch.
- Night illumination design.

SPECIFICATIONS

POWER SUPPLY	11-15V DC NEG. GROUND
MAX. OUTPUT VOLTAGE	7V RMS
SUB BASS FREQUENCY	40Hz-120Hz
LOW FREQUENCY	100Hz-400Hz
MID LOW FREQUENCY	350Hz-900Hz
MID FREQUENCY	650Hz-1.5KHz
MID HI FREQUENCY	1.2KHz-4.5KHz
HIGH FREQUENCY	4KHz-12KHz
SUPER HI FREQUENCY	8KHz-18KHz
EQUALIZATION RANGE	+/-12dB
SUBWOOFER FREQUENCY	30/300 Hz
INPUT IMPEDANCE	15K OHMS
S/N RATIO	90dB
T.H.D.	0.05%
CHANNEL SEPARATION	80dB

FUNCTIONS



1.VOLUME CONTROL

This control adjusts the output level.

2. INPUT SELECTOR SWITCH

This switch select the AUX input or DVD input.

3.FADER CONTROL

This control adjusts the volume between the front and rear speakers in 4 speaker system.

4.SUBWOOFER FREQ.

This switch select subwoofer frequency 30Hz or 300Hz.

5.SUBWOOFER VOLUME

This control adjusts output level of subwoofer.

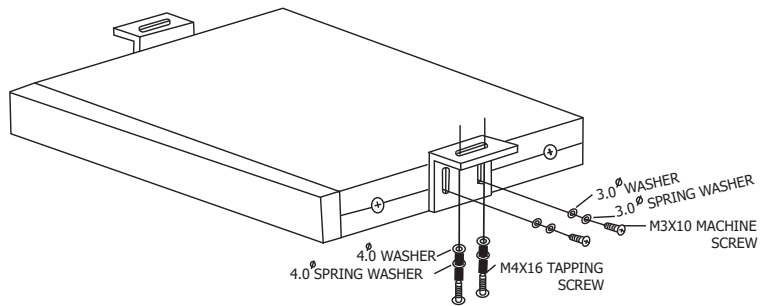
6.PRE - AMPLIFIER CONTROLS

Control the frequency response of the Booster or cut, with the four tone controls
Each Bass (40Hz-120Hz), Low(100Hz-400Hz), Mid Bass (350Hz-900Hz), Mid (650Hz-1.5kHz),
Mid Hi (1.2kHz-4.5kHz), Hi (4KHz~12KHz),Super Hi (8KHz~18KHz).

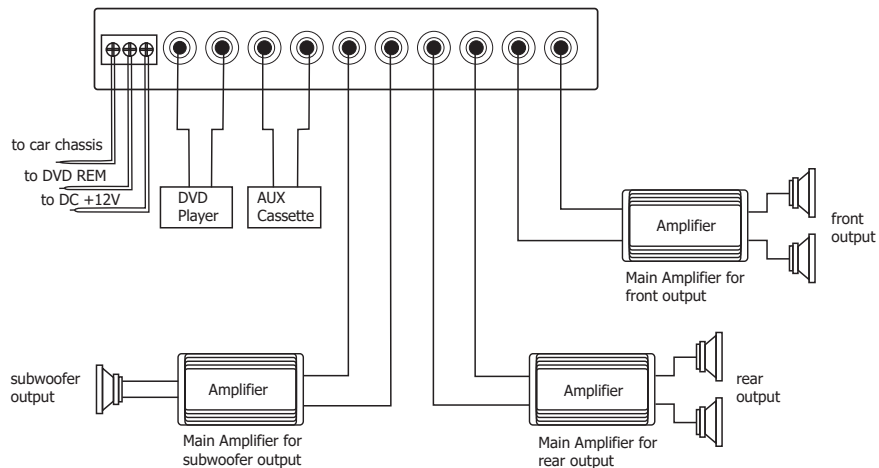
7.DIGIT DISPLAY

MECHANICAL INSTALLATION

1. Select the desired location to mount unit under the dash board.
2. Drill (4) 4.2 m/m diameter holes. Fix the mounting bracket under dash or hump with (4) 4x15 m/m tapping screw. Be careful when drilling so as not to damage existing wiring under the dash board.
3. Mount unit to the mounting bracket with (4) 3 x10 m/m machine screw.



WIRING DIAGRAM



OPERATION

1. When the DVD cassette or AUX player connected to this unit is turned ON, the unit turns ON and the indicator lights up.
2. With the 4 speaker system, use the fader control to adjust the sound balance between the front and rear speakers.
3. Rotate the graphic equalizer controls to obtain the preferred sound quality.
4. Use the subwoofer output level control on the front to adjust the sound level heard from the subwoofer.