



USER MANUAL FOR

# DMX-69

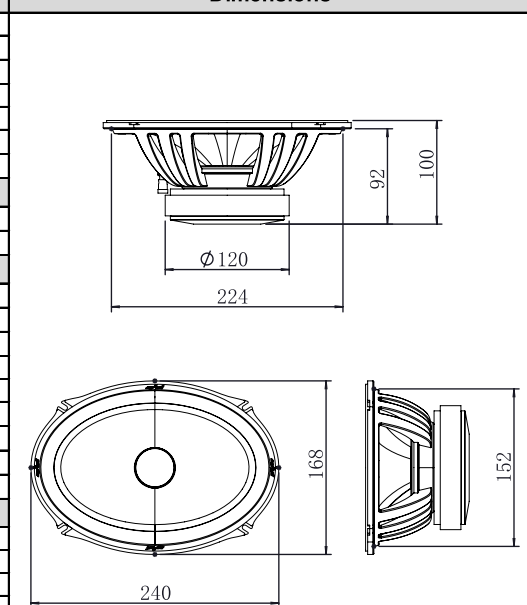
6.9 INCH MIDRANGE SPEAKER

**DMX-69**  
**6.9 Inch Midrange Speaker**  
**Ø 1.5 Inch Voice Coil 4Ω**



## SPECIFICATIONS

General Data		Unit	Dimensions	
Overall Dimensions	240*168*100	mm		
Nominal Power Handling	150	W		
Transient Power 10ms	300	W		
Sensitivity	96.2	dB		
Frequency Response	75-11K	Hz		
Cone Material	paper			
Net Weight	2.4	kg		
Electrical Data				
Nominal Impedance	4	Ohm		
DC Resistance	3.2	Ohm		
Voice Coil and Magnet Parameters				
Voice Coil Diameter	38.6	mm		
Voice Coil Height	9.3	mm		
HE Magnetic Gap Height	6	mm		
Max.Linear Excursion	1.65	mm		
Voice Coil bobbin	Kapton			
Voice Coil Wire	CCAW			
Number Of Layers	2	layers		
Magnet System Type	High Flux Ferrite			
BL Product	6.3	N.A		
T-S Parameters				
Suspension Compliance	Cms	0.33		
Mechanical Q Factor	Qms	10.4		
Electrical Q Factor	Qes	0.47		
Total Q Factor	Qts	0.45		
Moving Mass	Mms	11.9		
Eq.Cas Air Load( liters)	VAS	20.8	Liter	
Resonant Frequency	Fs	75	Hz	
Effective Piston Area	SD	209.4	cm <sup>2</sup>	



**FOR REFERENCE ONLY**

