



USER MANUAL

DWX12D1/D2

DWX15D1/D2

DWX15D1/D2 NEO

DWY12D2

DWY15D2

DWZ12D2/D4

DWZ15D2/D4

Due to continuous pursuit of performance, specifications change without prior notice.

DWX12D1/D2 DWX15D1/D2 DWX series subwoofer

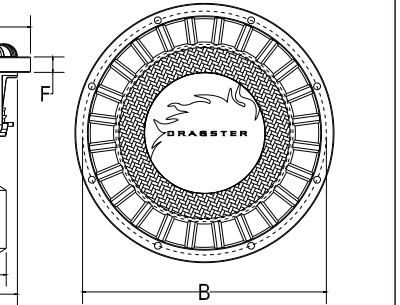
Features:

- Heavy gauge die cast basket;
- Kevlar woven backed by non-press paper composite cone;
- Red stitched ribbed EROM foam surround;
- 3" 4-layer flat aluminum wire voice coil;
- Reliable black poly-cotton 4-pc spiders system;
- Triple stacked 400oz Strontium magnets;
- Direct VC cooling motor design;
- 10-gauge power cable direct connecting;
- Rubber magnet boot and rubber gasket;
- Dual 1-ohm (D1) and dual 2-ohm (D2) Impedance;
- 3000W RMS power and 6000W MAX power

DWX series subwoofers T/S Parameters

MODEL	Imp	Dcr	Fs	SD	BL	Qms	Qes	Qts	n	SPLo	Vas	Cms	Mms	Mmd	Xmax	Vd
	ohm	ohm	Hz	msqM	Tm				%	dB	L	µm/N	g	g	mm	L
DWX12D1	0.5	0.4	33.8	51.07	8.08	4.484	0.391	0.359	0.291	86.8	27.36	73.87	300.5	293.9	17.5	8.7
DWX12D1	2	1.6	34.0	51.07	17.12	2.825	0.343	0.315	0.305	86.9	27.61	74.55	294.2	287.6	17.5	8.7
DWX12D2	1	0.8	33.9	51.07	11.33	3.695	0.329	0.302	0.375	87.8	32.94	88.93	248.5	241.8	17.5	8.7
DWX12D2	4	3.2	33.3	51.07	24.24	3.190	0.300	0.274	0.383	87.8	32.19	86.91	263.3	256.7	17.5	8.7
DWX15D1	0.5	0.4	30.4	77.91	8.13	4.602	0.423	0.387	0.514	89.2	66.70	78.02	316.5	304.0	17.5	10.8
DWX15D1	2	0.4	30.1	77.91	16.15	3.677	0.361	0.329	0.565	89.5	67.68	81.07	311.4	298.9	17.5	10.8
DWX15D2	1	0.8	31.5	77.91	11.83	4.014	0.360	0.330	0.581	89.7	69.11	80.13	318.4	293.4	17.5	10.8
DWX15D2	4	3.2	31.5	77.91	24.64	3.458	0.333	0.304	0.623	90.0	68.94	79.94	320.1	295.1	17.5	10.8

*Above parameters are tested after each subwoofer was break-in-ed under 3000W(50Hz) power for 3hours.
*Due to continuous pursuit of performance, specifications change without prior notice.



DWX series DIMENSIONS

Dimensions	Value	DWX12D1/D2	DWX15D1/D2
Diameter A	mm	325	395
Diameter B	mm	303	375
Diameter C	mm	288	350
Diameter D	mm	260	260
Depth E	mm	95	95
Depth F	mm	15	16
Depth G	mm	222	237
Depth H	mm	262	279
Vd	L	8.7	10.8

DWX15D1/D2 NEO DWX NEO series subwoofer

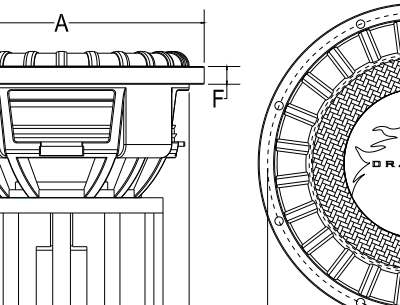
Features:

- Heavy gauge die cast basket;
- Kevlar woven backed by non-press paper composite cone;
- Red stitched ribbed EROM foam surround;
- 3" 4-layer flat aluminum wire voice coil;
- Reliable black poly-cotton 4-pc spiders system;
- 12-bar Neo magnets;
- Direct VC cooling motor design;
- 10-gauge power cable direct connecting;
- Rubber gasket;
- Dual 1-ohm (D1) and dual 2-ohm (D2) Impedance;
- 2500W RMS power and 5000W MAX power

DWX NEO series subwoofers T/S Parameters

MODEL	Imp	Dcr	Fs	SD	BL	Qms	Qes	Qts	n	SPLo	Vas	Cms	Mms	Mmd	Xmax	Vd
	ohm	ohm	Hz	msqM	Tm				%	dB	L	µm/N	g	g	mm	L
DWX15D1 NEO	0.5	0.4	31.7	77.93	9.22	3.141	0.349	0.314	0.583	89.7	66.81	73.56	335.2	322.7	19	18.9
DWX15D1 NEO	2	1.6	31.2	77.93	19.72	2.970	0.318	0.287	0.594	89.8	67.42	72.95	341.0	328.5	19	18.9
DWX15D2 NEO	1	0.8	31.3	77.91	11.89	3.067	0.365	0.326	0.552	89.4	68.19	79.07	327.9	315.3	19	18.9
DWX15D2 NEO	4	3.2	31.2	77.91	24.91	2.746	0.334	0.298	0.598	89.8	67.96	78.80	330.3	317.8	19	18.9

*Above parameters are tested after each subwoofer was break-in-ed under 2500W(50Hz) power for 3hours.
*Due to continuous pursuit of performance, specifications change without prior notice.



DWX NEO series DIMENSIONS

Dimensions	Value	DWX15D1/D2 NEO
Diameter A	mm	395
Diameter B	mm	375
Diameter C	mm	350
Diameter D	mm	232
Depth E	mm	153
Depth F	mm	16
Depth G	mm	292
Depth H	mm	332
Vd	L	18.9

DWY12D2 DWY15D2 DWY series subwoofer

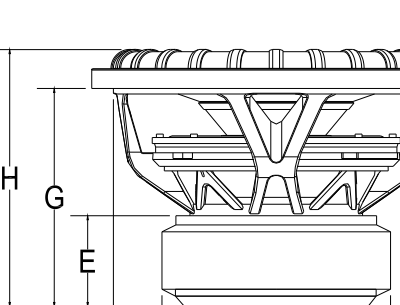
Features:

- Heavy gauge die cast basket;
- Kevlar added reinforced non-press paper cone;
- Red stitched ribbed EROM foam surround;
- 3" 4-layer copper wire voice coil;
- Reliable black poly-cotton 4-pc spiders system;
- Triple stacked 300oz Strontium magnets;
- Direct VC cooling motor design;
- 10-gauge power cable direct connecting;
- Rubber magnet boot and rubber gasket;
- Dual 2-ohm (D2) Impedance;
- 2000W RMS power and 4000W MAX power

DWY series subwoofers T/S Parameters

MODEL	Imp	Dcr	Fs	SD	BL	Qms	Qes	Qts	n	SPLo	Vas	Cms	Mms	Mmd	Xmax	Vd
	ohm	ohm	Hz	msqM	Tm				%	dB	L	µm/N	g	g	mm	L
DWY12D2	1	0.9	31.6	51.07	12.55	4.616	0.298	0.280	0.366	87.7	37.86	99.88	262.6	256.0	15	7.0
DWY12D2	4	3.8	30.5	51.07	24.81	4.023	0.328	0.304	0.374	87.8	38.19	103.11	291.9	285.3	15	7.0
DWY15D2	1	0.9	29.1	77.93	11.90	4.378	0.332	0.309	0.563	89.5	96.91	112.37	306.5	294.0	15	8.8
DWY15D2	4	3.8	28.7	77.93	25.19	4.203	0.326	0.303	0.533	89.3	94.44	109.51	324.6	312.1	15	8.8

*Above parameters are tested after each subwoofer was break-in-ed under 2000W(50Hz) power for 3hours.
*Due to continuous pursuit of performance, specifications change without prior notice.



DWY series DIMENSIONS

Dimensions	Value	DWY12D2	DWY15D2
Diameter A	mm	325	395
Diameter B	mm	303	375
Diameter C	mm	288	350
Diameter D	mm	226	226
Depth E	mm	95	95
Depth F	mm	15	16
Depth G	mm	204	218
Depth H	mm	241	258
Vd	L	7.0	8.8

DWZ12D2/D4 DWZ15D2/D4 DWZ series subwoofer

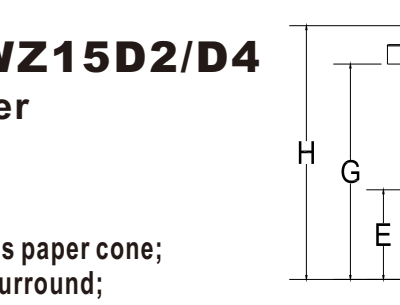
Features:

- Heavy gauge die cast basket;
- Kevlar added reinforced non-press paper cone;
- Red stitched ribbed EROM foam surround;
- 3" 4-layer copper wire voice coil;
- Reliable black poly-cotton 3-pc spiders system;
- Triple stacked 225oz Strontium magnets;
- Direct VC cooling motor design;
- Chrome push terminals;
- Rubber magnet boot and rubber gasket;
- Dual 2-ohm (D2) and dual 4-ohm (D4) Impedance;
- 1500W RMS power and 3000W MAX power

DWZ series subwoofers T/S Parameters

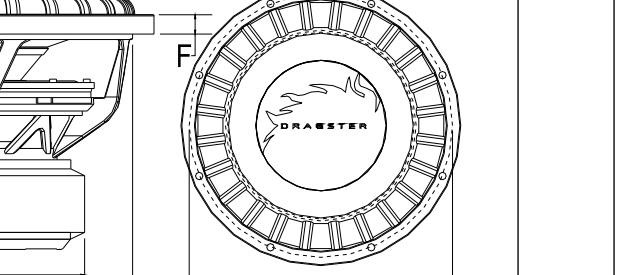
MODEL	Imp	Dcr	Fs	SD	BL	Qms	Qes	Qts	n	SPLo	Vas	Cms	Mms	Mmd	Xmax	Vd
	ohm	ohm	Hz	msqM	Tm				%	dB	L	µm/N	g	g	mm	L
DWZ12D2	1	0.9	29.1	51.07	12.23	4.136	0.316	0.291	0.291	86.7	38.47	103.86	287.1	280.5	15	5.8
DWZ12D2	4	3.8	29.1	51.07	24.81	4.023	0.328	0.304	0.274	86.4	38.19	103.12	291.9	285.3	16	5.8
DWZ12D4	2	1.7	30.2	51.07	15.76	3.710	0.330	0.303	0.327	87.2	40.45	109.21	254.1	247.4	16	5.8
DWZ12D4	8	6.8	29.4	51.07	34.56	3.623	0.293	0.271	0.326	87.2	38.94	105.14	268.9	252.2	16	5.8
DWZ15D2	1	0.9	31.6	77.93	13.20	4.815	0.324	0.304	0.652	90.2	69.34	80.41	316.0	303.5	16	7.7
DWZ15D2	4	3.8	30.7	77.93	31.37	4.037	0.263	0.247	0.697	90.4	68.83	79.33	333.5	321.0	16	7.7
DWZ15D4	2	1.7	29.2	77.93	14.88	4.297	0.402	0.367	0.504	89.3	73.88	82.22	284.8	272.3	16	7.7
DWZ15D4	8	6.8	29.2	77.93	34.81	4.259	0.368	0.339	0.511	89.4	72.44	84.00	302.0	289.5	16	7.7

*Above parameters are tested after each subwoofer was break-in-ed under 1500W(50Hz) power for 3hours.
*Due to continuous pursuit of performance, specifications change without prior notice.



DWZ series DIMENSIONS

Dimensions	Value	DWZ12D2/D4	DWZ15D2/D4
Diameter A	mm	325	395
Diameter B	mm	303	375
Diameter C	mm	288	350
Diameter D	mm	196	196
Depth E	mm	89	89
Depth F	mm	15	16
Depth G	mm	198	212
Depth H	mm	235	252
Vd	L	5.8	7.7



DWZ series DIMENSIONS

Dimensions	Value	DWZ12D2/D4	DWZ15D2/D4
Diameter A	mm	325	395
Diameter B	mm	303	375
Diameter C	mm	288	350
Diameter D	mm	196	196
Depth E	mm	89	89
Depth F	mm	15	16
Depth G	mm	198	212
Depth H	mm	235	252
Vd	L	5.8	7.7

*Above parameters are tested after each subwoofer was break-in-ed under 1500W(50Hz) power for 3hours.
*Due to continuous pursuit of performance, specifications change without prior notice.

